



**HANDLING AND STORAGE**

**SERVING THE FOOD INDUSTRY SINCE 1951**

## **STAINLESS STEEL OPEN WALL CABINETS**

*Omcan's stainless steel open wall cabinets provide easy access to your kitchen tools, janitorial supplies, or other necessities / store stock. Features a slope top shelf for easy clean and reduces dust build up.*



**WARRANTY**



Authorized Dealer

# HANDLING AND STORAGE

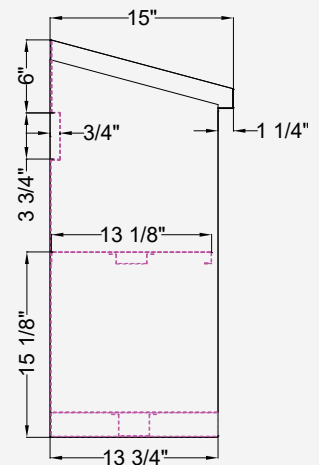
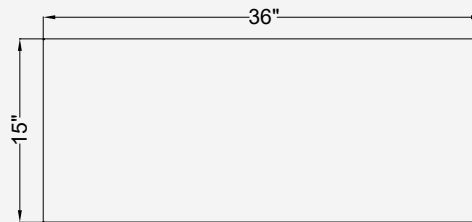
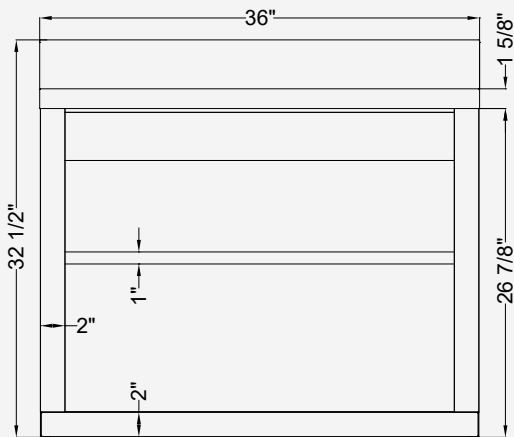
15" x 36" x 32.5" STAINLESS STEEL OPEN WALL CABINET



## TECHNICAL SPECIFICATIONS

<b>ITEM</b>	<b>46408</b>
<b>MATERIAL</b>	18 Gauge. 304 Stainless Steel
<b>LOAD CAPACITY</b>	360 lbs. / 163.3 kg.
<b>DIMENSIONS (DWH)</b>	15" x 36" x 32.5" / 381 x 914.4 x 825.5 mm
<b>GROSS DIMENSIONS</b>	16" x 37" x 33" / 406.4 x 939.8 x 838.2 mm
<b>NET WEIGHT</b>	95 lbs. / 43 kg.
<b>GROSS WEIGHT</b>	99 lbs. / 45 kg.

## TECHNICAL DRAWINGS WITH DETAILED DIMENSIONS



### OMCAN INC.

Telephone: 1-800-465-0234  
Fax: (905) 607-0234  
Email: [sales@omcan.com](mailto:sales@omcan.com)  
Website: [www.omcan.com](http://www.omcan.com)



Follow us to keep up to date  
with the latest news and offers



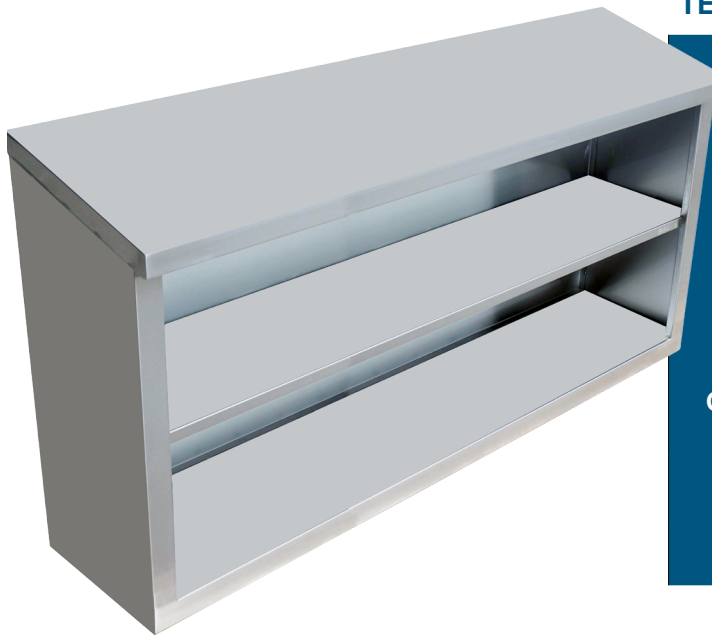
2019.E.O.E

# HANDLING AND STORAGE

15" x 48" x 32.5" STAINLESS STEEL OPEN WALL CABINET

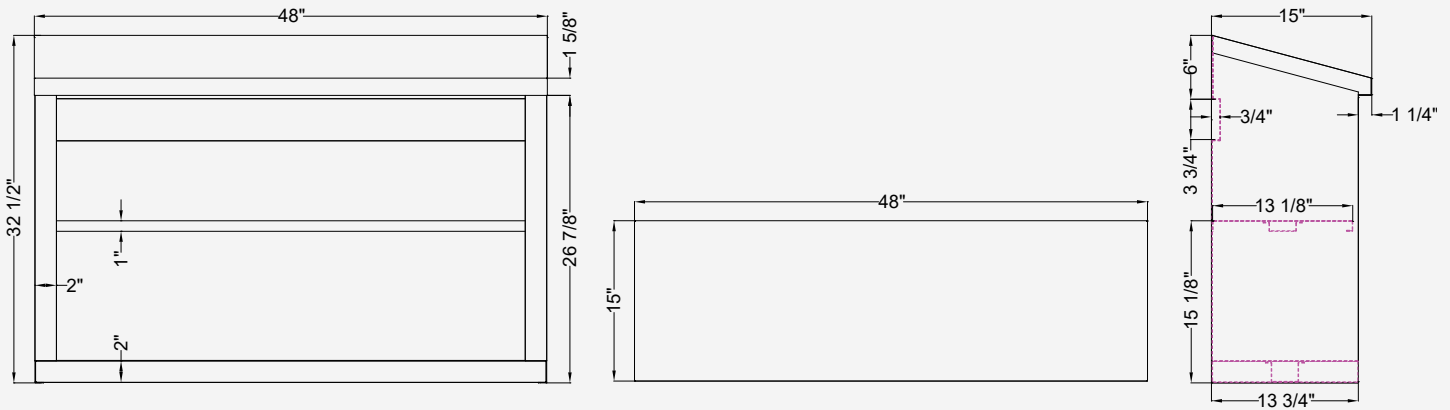


## TECHNICAL SPECIFICATIONS



<b>ITEM</b>	<b>46409</b>
<b>MATERIAL</b>	18 Gauge. 304 Stainless Steel
<b>LOAD CAPACITY</b>	380 lbs. / 172.4 kg.
<b>DIMENSIONS (DWH)</b>	15" x 48" x 32.5" / 381 x 1219.2 x 825.5 mm
<b>GROSS DIMENSIONS</b>	16" x 49" x 33" / 406.4 x 1244.6 x 838.2 mm
<b>NET WEIGHT</b>	120 lbs. / 54.43 kg.
<b>GROSS WEIGHT</b>	124 lbs. / 56.24 kg.

## TECHNICAL DRAWINGS WITH DETAILED DIMENSIONS



### OMCAN INC.

Telephone: 1-800-465-0234

Fax: (905) 607-0234

Email: [sales@omcan.com](mailto:sales@omcan.com)

Website: [www.omcan.com](http://www.omcan.com)



Follow us to keep up to date  
with the latest news and offers



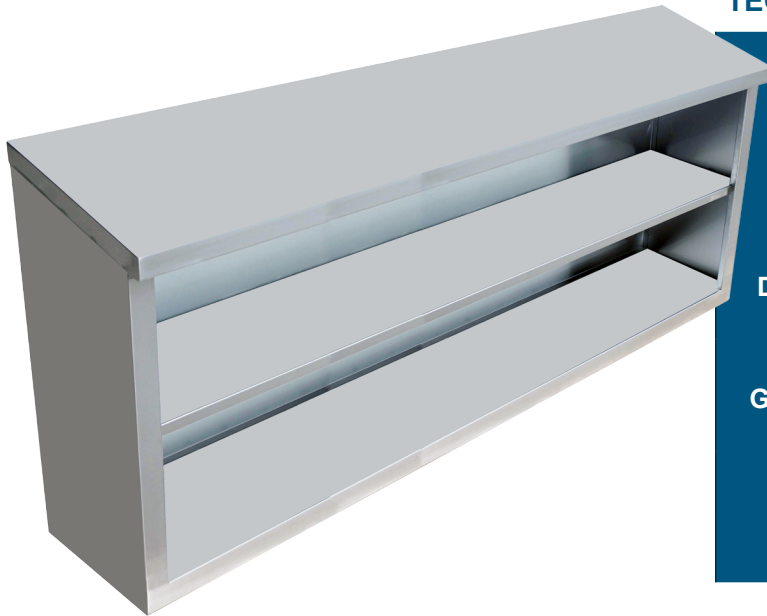
2019.E.O.E

# HANDLING AND STORAGE

15" x 60" x 32.5" STAINLESS STEEL OPEN WALL CABINET

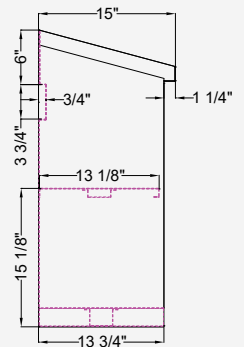
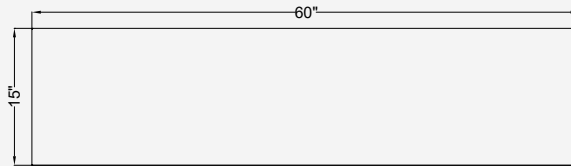
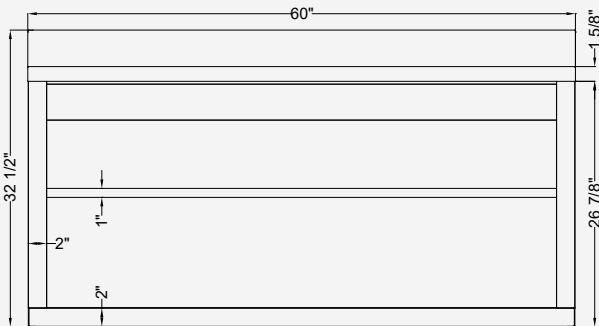


## TECHNICAL SPECIFICATIONS



ITEM	46410
MATERIAL	18 Gauge. 304 Stainless Steel
LOAD CAPACITY	400 lbs. / 181.43 kg.
DIMENSIONS (DWH)	15" x 60" x 32.5" / 381 x 1524 x 825.5 mm
GROSS DIMENSIONS	16" x 61" x 33" / 406.4 x 1549.4 x 838.2 mm
NET WEIGHT	145 lbs. / 65.8 kg.
GROSS WEIGHT	149 lbs. / 67.6 kg.

## TECHNICAL DRAWINGS WITH DETAILED DIMENSIONS



### OMCAN INC.

Telephone: 1-800-465-0234

Fax: (905) 607-0234

Email: [sales@omcan.com](mailto:sales@omcan.com)

Website: [www.omcan.com](http://www.omcan.com)



Follow us to keep up to date with the latest news and offers



2019.E.O.E